







RIGHT UPPER EXHAUST

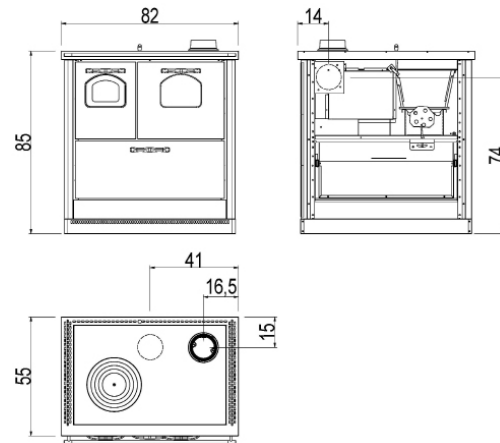
-  IVORY STEEL
7113006
EAN 8033123610650
-  RED STEEL
7113005
EAN 8033123610643
-  IVORY MAJOLICA
7114006
EAN 8033123615273
-  RED MAJOLICA
7114003
EAN 8033123615242

CENTRAL UPPER EXHAUST

-  IVORY STEEL
7113010
EAN 8033123613286
-  RED STEEL
7113009
EAN 8033123613279
-  IVORY MAJOLICA
7114007
EAN 8033123615280
-  RED MAJOLICA
7114004
EAN 8033123615259

RIGHT BACK EXHAUST

-  IVORY STEEL
7113014
EAN 8033123613323
-  RED STEEL
7113013
EAN 8033123613316
-  IVORY MAJOLICA
7114008
EAN 8033123615297
-  RED MAJOLICA
7114005
EAN 8033123615266



EXTRA



Upper and back exhaust



Overheating protection



Handgrip against burn



Cast iron inner with 2nd combustion air



Cooking

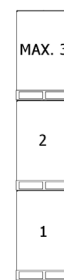
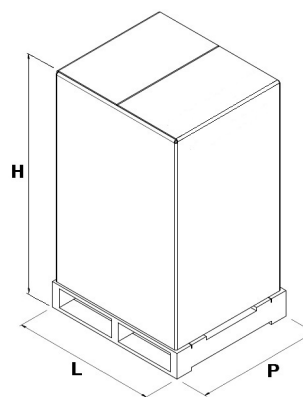


View on the oven

TECHNICAL DATAS

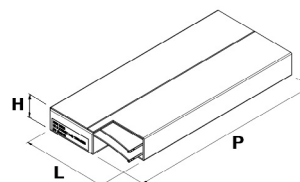
Nominal power	kW	6
Reduced power	kW	-
Nominal water useful power	kW	-
Reduced water useful power	kW	-
Nominal efficiency	%	71,5
Reduced efficiency	%	-
Heating volume (max)	m ³	144
Nominal CO at 13% O ₂	%	0,43
Reduced CO at 13% O ₂	%	-
Nominal dust content at 13% O ₂	mg/Nm ³	-
Boiler capacity (H ₂ O)	l	-
Hopper capacity	kg	-
Combustible		Wood
Hourly consumption (max)	kg/h	1,80
Autonomy (min-max)	h	-
Ignition electrical absorption (max)	W	-
Operating electrical absorption (max)	W	-
Supply and frequency	V - Hz	-
Chimney flue depression	Pa	11
Exhaust diameter	mm	120
Combustion air inlet diameter	mm	-
Mass of smoke (max)	g/sec	12,9
Exhaust fumes temperature (max)	°C	187
Net weight	kg	122
Gross weight	kg	132

PACKAGING AND STOCKING



L (cm)	85,5
H (cm)	100
P (cm)	68,5

LINING PACKING



LINING	L (cm)	H (cm)	P (cm)
Steel	79	11	69
Majolica	73	20	41



EN 12815:2001/A1:2004/AC:2007